



# Lexmark CX923dx

Tray input of 3500 sheets enhances the multi-format 55-ppm MFP that already offers SRA3/12x18 output, copying, scanning, faxing and optional finishing.

**Part Number**

32C0203

**Print Technology**

Colour Laser

**Function**

Colour Copying, Colour Faxing, Colour Printing, Colour Scanning, Colour Network Scanning

**Workgroup Size**

Large Workgroup

**Touch Screen Display**

Yes

**Display**

Lexmark e-Task 10-inch (25 cm) class colour touch screen

**Print Speed (Letter, Black)**

Up to 55 ppm<sup>6</sup>

**Print Speed (Letter, Colour)**

Up to 55 ppm<sup>6</sup>

**Print Speed (Letter, Black) Duplex**

Up to 55 spm<sup>6</sup>

**Print Speed (A4, Black)**

Up to 55 ppm<sup>6</sup>

**Print Speed (A4, Colour)**

Up to 55 ppm<sup>6</sup>

**Print Speed (A4, Black) Duplex**

Up to 55 spm<sup>6</sup>

**Time to First Page (Black)**

As fast as 5.2 seconds

**Time to First Page (Colour)**

As fast as 6.1 seconds

**Duplex (2-sided) Printing**

Integrated Duplex

**Print Resolution, Black**

1200 x 1200 dpi, 2400 IQ (2400 x 600 dpi)

**Print Resolution, Colour**

1200 x 1200 dpi, 2400 IQ (2400 x 600 dpi)

**Copy Speed (Letter, Black)**

Up to 55 cpm<sup>6</sup>

**Copy Speed (Letter, Colour)**

Up to 55 cpm<sup>6</sup>

**Copy Speed (A4, Black)**

Up to 55 cpm<sup>6</sup>

**Copy Speed (A4, Colour)**

Up to 55 cpm<sup>6</sup>

**Time to First Copy (Black)**

As fast as 4.9 seconds

**Time to First Copy (Colour)**

As fast as 5.8 seconds

**Reduce / Enlarge Range**

25 - 400 %

**A4/Ltr Simplex Scan Speed (Black)**

Up to 80 / 80 sides per minute

**A4/Ltr Simplex Scan Speed (Colour)**

Up to 80 / 80 sides per minute

**A4/Ltr Duplex Scan Speed (Black)**

Up to 160 / 160 sides per minute

**A4/Ltr Duplex Scan Speed (Colour)**

Up to 160 / 160 sides per minute

**Scan Area, Maximum (mm)**

297 x 432 mm

**ADF Scan**

DADF (single pass Duplex)

**Scanner Type**

Flatbed scanner with ADF

**Scan Technology**

CCD

**Optical Scanning Resolution**

600 X 600 ppi

**Scan File Formats (Send as)**

JPEG, JPG, PDF, Secure PDF, TIFF, XPS, Archival PDF (A-1a, A-1b), Highly compressed PDF (1GB RAM and hard disk required), Searchable PDF

**Scan Destinations**

e-mail, FTP, USB Flash drive, USB or Network connected computer, Lexmark Document Solutions Suite (LDSS)

**Modem Speed**

ITU T.30, V.34 Half-Duplex, 33.6 Kbps

**Fax Transmission Speed**

< 3 seconds per page

**Processor Speed**

Quad Core 1.2 GHz

**Memory, Standard**

2048 MB

**Memory, Maximum**

4096 MB

**Hard Disk**

Included in configuration

**Apple Operating Systems Supported**

Apple OS X (10.6, 10.7, 10.8, 10.9, 10.10, 10.11)

**Citrix MetaFrame**

Microsoft Windows Server 2008 and 2008 X64 Edition with Citrix XenApp 5.0, Microsoft Windows Server 2008 R2 with Citrix XenApp 6.0, 6.5, Microsoft Windows Server 2012 with Citrix XenApp 6.0, 6.5

**Linux Operating Systems Supported**

Debian GNU/Linux 7.0, 8.0, Fedora 21, 22, Linpus Linux Lite Desktop 2.1, Linux Mint 13 LTS, 17 LTS, 17.1 LTS, 17.2 LTS, Linux Mint 2 Debian, PCLinuxOS 2014.12, Red Hat Enterprise Linux WS 4, 5, 6, 7, SUSE Linux Enterprise Desktop 10, 11, 12, SUSE Linux Enterprise Server 10, 11, 12, Ubuntu 12.04 LTS, 14.04 LTS, 15.04, openSUSE 13.1, 13.2, openSUSE Tumbleweed

**Microsoft Windows Operating Systems Supported**

Windows XP, Windows XP x64, Windows Vista, Windows Vista x64, Windows Server 2008, Windows Server 2008 x64, Windows 7, Windows 7 x64, Windows Server 2008 R2, Windows 8, Windows 8 x64, Windows Server 2012, Windows 8.1, Windows 8.1 x64, Windows Server 2012 R2, Windows RT, Windows RT 8.1, Windows 10

**Novell Operating Systems Supported**

Novell NetWare 6.5 Open Enterprise Server, Novell Open Enterprise Server on SuSE Linux Enterprise Server 10 SP4 (x86 and x64), Novell Open Enterprise Server on SuSE Linux Enterprise Server 11 SP4 (x86 and x64), Novell Open Enterprise Server on SuSE Linux Enterprise Server 12 SP1 (x86 and x64)

**UNIX Operating Systems Supported**

Sun Solaris x86 10, 11, IBM AIX 5.3, 6.1, 7.1, Sun Solaris SPARC 10, 11

**Included Paper Handling**

Integrated Duplex, 250-Sheet Output Bin, 150-Sheet Multipurpose Feeder, 2 x 500-Sheet Input, 2500-Sheet Tandem Tray

**Optional Paper Handling**

Staple Finisher, Staple Punch Finisher, 3000-Sheet Tray, Booklet Finisher

**Paper Input Capacity, Standard**

Up to 3650 pages 20 lb or 75 gsm bond

**Paper Input Capacity, Maximum**

Up to 6650 pages 20 lb or 75 gsm bond

**Paper Output Capacity, Standard**

Up to 250 pages 20 lb or 75 gsm bond

**Paper Output Capacity, Maximum**

Up to 3500 pages 20 lb or 75 gsm bond

**Paper Weight Range Supported - Standard Tray (gsm)**

60 - 256 gsm

**Paper Weight Range Supported - Multipurpose Feeder (gsm)**

60 - 300 gsm

**A3 / 11 x 17**

Yes

**ADF**

100-Sheet Automatic Document Feeder

**ADF Paper Input Capacity**

Up to 100 pages 20 lb or 75 gsm bond

**ADF Paper Output Capacity**

Up to 100 pages 20 lb or 75 gsm bond

**Finishing Option**

Yes

**Finishing Functions**

Offset stacking, Stapling, Hole punching, Booklet fold and saddle stapling

**Number of Paper Inputs, Standard**

4

**Number of Paper Inputs, Maximum**

5

**Media Types Supported**

Card Stock, Envelopes, Labels, Plain Paper, Banner Paper, Refer to the Paper & Specialty Media Guide

**Media Sizes Supported**

10 Envelope, 7 3/4 Envelope, 9 Envelope, A3, A4, A5, B5 Envelope, C5 Envelope, DL Envelope, Executive, Folio, JIS-B5, Legal, Letter, Statement, Universal, Super Tabloid (12 x 18"), Oficio, A6, SRA3

**Standard Ports**

One Internal Card Slot, USB 2.0 Specification Hi-Speed Certified (Type B), Gigabit Ethernet (10/100/1000), Two Rear USB 2.0 Specification Hi-Speed Certified ports (Type A), Two Front USB 2.0 Specification Hi-Speed Certified port (Type A)

**Optional Local Ports**

External RS-232C serial, Internal 1284-B Bidirectional Parallel

**Optional Network Ports**

Internal MarkNet N8360 802.11b/g/n Wireless, NFC, MarkNet N8230 Fiber Ethernet Print Server

**Direct USB**

Yes

**Ethernet Network**

Yes

**Wireless**

Wireless Option

**Network Protocol Support**

TCP/IP IPv4, TCP/IP IPv6, TCP, UDP

**Network Printing Methods**

LPR/LPD, Direct IP (Port 9100), Enhanced IP (Port 9400), Secure IP (Port 96xx), FTP, TFTP, ThinPrint .print integration, Telnet, IPP 1.0, 1.1, 2.0 (Internet Printing Protocol), Microsoft Web Services WSD, Pull Printing

**Network Management Protocols<sup>1</sup>**

HTTP, HTTPS (SSL/TLS), SNMPv1, SNMPv2c, SNMPv3, WINS, IGMP, BOOTP, RARP, APIPA (AutoIP), DHCP, ICMP, DNS, Bonjour, DDNS, mDNS, ARP, NTP, Telnet, Finger,

**Network Security**

SNMPv3, 802.1x Authentication: MD5, MSCHAPv2, LEAP, PEAP, TLS, TTLS, IPsec

**Printable Area (metric)**

4.2, 3, 3, 3 mm of the top, bottom, right and left edges (within)

**Printer Languages (Standard)**

PCL 5c Emulation, PCL 6 Emulation, Personal Printer Data Stream (PPDS), PostScript 3 Emulation, Direct Image, Microsoft XPS (XML Paper Specification), AirPrint™, PDF 1.7 emulation

**Fonts and Symbol Sets**

3 of 9 scalable PCL 5e fonts in Narrow, Regular and Wide, 2 PCL bitmap fonts, 39 scalable PPDS fonts, 84 scalable PCL fonts, OCR-A, OCR-B scalable PCL 5e fonts, For more information, refer to the Technical Reference., 165 scalable PostScript fonts, 15 PPDS bitmap fonts

**Laser Cartridge Yields (up to)<sup>5</sup>**

, 18,500-page Black Cartridge, 11,500-page Colour (CMY) Cartridges, 34,000-page Black High Yield Cartridge, 30,000-page Black and Colour (CMYK) Cartridges

**Photoconductor Estimated Yield**

Up to 100000 Black / 90000 (CMY) pages, based on 3 average letter/A4-size pages per print job and ~ 5% coverage<sup>4</sup>

**Cartridge(s) Shipping with Product**

18,500-page Black Toner Cartridge, 11,500-page Colour (CMY) Toner Cartridges

**Replacement Cartridges:**

Product functions only with replacement cartridges designed for use in a specific geographical region. See [www.lexmark.com/](http://www.lexmark.com/) regions for more details.

**Packaged Size (mm - H x W x D)**

1505 x 758 x 911 mm

**Packaged Weight, kg**

168 kg

**Size (mm - H x W x D)**

1225 x 615 x 792 mm

**Weight**

134.5 kg

**Size, Trays Extended (mm - H x W x D)**

1553 x 953 x 1246 mm

**Noise Level, Idle**

29 dBA

**Noise Level (Print), Operating**

52 dBA

**Duplex Print Noise Level, Operating**

54 dBA

**Noise Level (Copy), Operating**

56 dBA

**Noise Level (Scan), Operating**

53 dBA

**ENERGY STAR**

No

**Average Power (Hibernate Mode)**

0.2 watts

**Average Power (Sleep Mode)**

2.78 watts

**Average Power (Ready Mode)**

230 watts

**Average Power (Printing)**

1075 watts

**Average Power (Copying)**

1100 watts

**Average Power (Scanning)**

250 watts

**ENERGY STAR Typical Electricity Consumption (TEC)**

1.35 kilowatt-hours per week

**Limited Warranty - See Statement of Limited Warranty**

1-Year Onsite Service, Next Business Day

**Product Certifications**

ICES-003 Class A, BSMI Class A, VCCI Class A, FCC Class A, NOM-032, UL, cUL, NOM, US FDA/CDRH, IEC 60825-1, CB Report, ISO-532B, CE (EU) DoC, EFTA (CE), KC logo, CCC, C-tick DoC, EuP, CECP, CEL, EC 1275/2008, ECMA-370, TED, SII, TER, SABS, UL-AR, GS Mark, Green Dot, ISO-9296, COC, CCD-035 EcoLogo, Green Mark, Blue Angel (Blauer Engel), China Green Product (CGP)

**Maximum Monthly Duty Cycle**

Up to 250000 pages per month<sup>3</sup>

**Recommended Monthly Page Volume**

7000 - 50000 pages<sup>2</sup>

**Specified Operating Environment**

Altitude: 0 - 2500 Meters (8,200 Feet), Humidity: 15 to 85% Relative Humidity, Temperature: 10 to 30°C (50 to 86°F)

**License/Agreement Terms**

Printers are sold subject to certain license/agreement conditions. See [www.lexmark.com/](http://www.lexmark.com/) printerlicense for details.

**Country of Origin**

China (PRC)

**UNSPSC Code**

43212110

**Harmonized Tariff Code**

8443.31.0000

**Developer Unit(s) Estimated Yield**

Up to 600000 pages, based on 3 average letter/A4-size pages per print job and ~ 5% coverage

<sup>1</sup>This product includes software developed by the OpenSSL Project for use in the OpenSSL Toolkit. (<http://www.openssl.org/>)

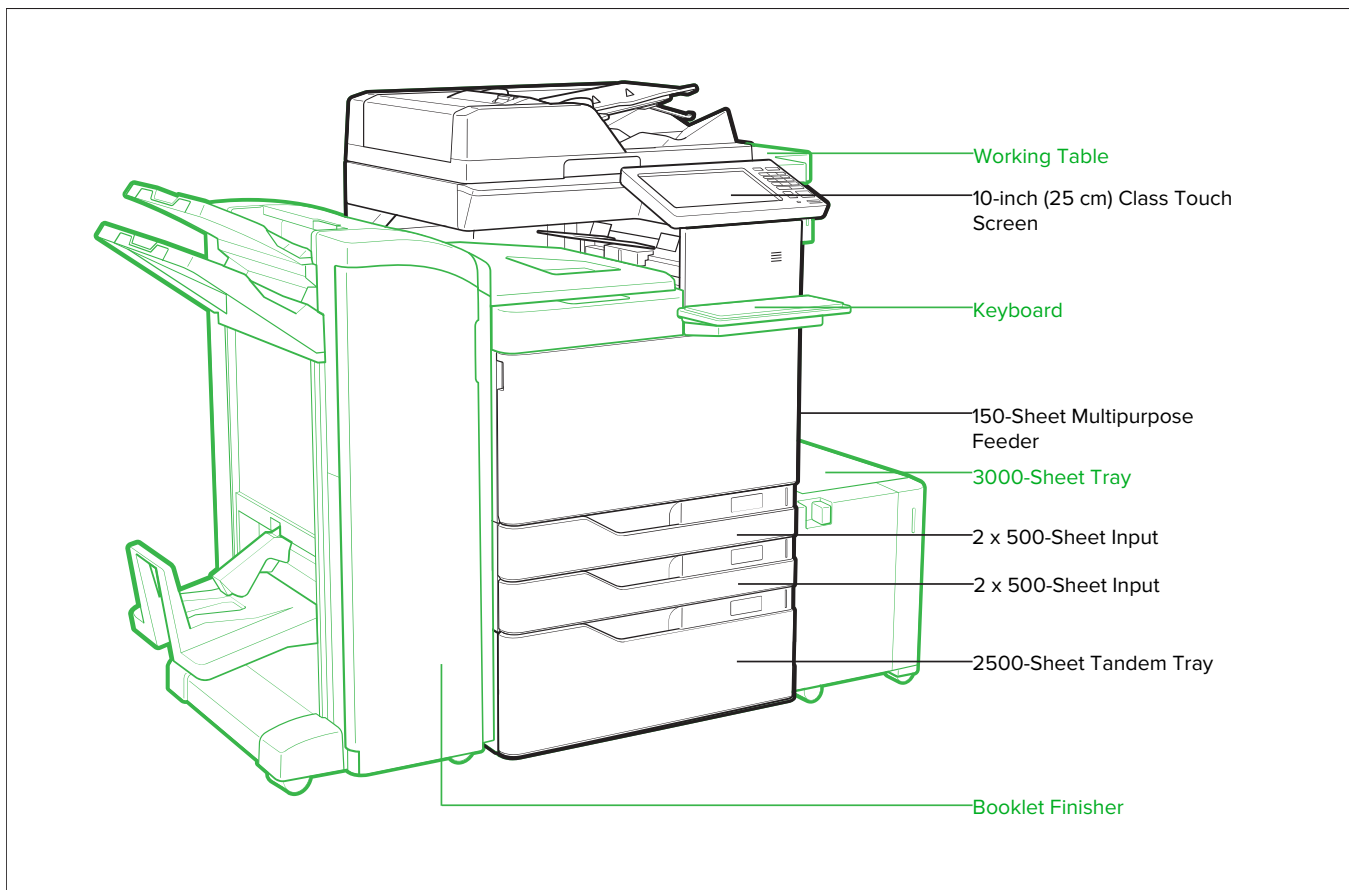
<sup>2</sup>"Recommended Monthly Page Volume" is a range of pages that helps customers evaluate Lexmark's product offerings based on the average number of pages customers plan to print on the device each month. Lexmark recommends that the number of pages per month be within the stated range for optimum device performance, based on factors including: supplies replacement intervals, paper loading intervals, speed, and typical customer usage.

<sup>3</sup>"Maximum Monthly Duty Cycle" is defined as the maximum number of pages a device could deliver in a month using a multishift operation. This metric provides a comparison of robustness in relation to other Lexmark printers and MFPs.

<sup>4</sup>Actual Yield may vary based on other factors such as device speed, paper size and feed orientation, toner coverage, tray source, percentage of black-only printing and average print job complexity.

<sup>5</sup>Average continuous black or continuous composite CMY declared cartridge yield up to this number of standard pages in accordance with ISO/IEC 19798.

<sup>6</sup>Print and copy speeds measured in accordance with ISO/IEC 24734 and ISO/IEC 24735 respectively (ESAT). For more information see: [www.lexmark.com/ISOspeeds](http://www.lexmark.com/ISOspeeds).



**P/N Toner Cartridges**

76C00C0	Lexmark CS/CX921, 923, CX922, 924 Cyan 11.5K Toner Cartridge
76C00M0	Lexmark CS/CX921, 923, CX922, 924 Magenta 11.5K Toner Cartridge
76C00Y0	Lexmark CS/CX921, 923, CX922, 924 Yellow 11.5K Toner Cartridge
76C00K0	Lexmark CS/CX921, 923, CX922, 924 Black 18.5K Toner Cartridge
76C0HC0	Lexmark CS/CX923, CX921, 922, 924 Cyan 34K Toner Cartridge
76C0HM0	Lexmark CS/CX923, CX921, 922, 924 Magenta 34K Toner Cartridge
76C0HY0	Lexmark CS/CX923, CX921, 922, 924 Yellow 34K Toner Cartridge
86C0HK0	Lexmark CX921, 922, 923, 924 Black 34K Toner Cartridge
76C0PK0	Lexmark CS/CX921, 923, CX922, 924, C9235, XC9235, 9245, 9255, 9265 1-Pack 100K Photoconductor
76C0PV0	Lexmark CS/CX921, 923, CX922, 924, C9235, XC9235, 9245, 9255, 9265 1-Pack CMY 90K Photoconductor
25A0013	Staple Cartridges (3 pack)
54G0W00	Lexmark MS/MX911, MX910, 912 90K Waste Container

**P/N Paper Handling**

26Z0089	3000-Sheet Tray (A4)
26Z0083	MS911, MX91x Booklet Finisher (3-Hole)
26Z0081	MS911, MX91x Staple Punch Finisher (3-Hole)
26Z0084	MS911, MX910, MX911 Inline Stapler
26Z0088	3000-Sheet Tray (Letter)
26Z0091	MS911, MX91x Banner Media Tray

**P/N Furniture**

32C0053	Cabinet with casters
26Z0090	Working Shelf

**P/N Memory Options**

27X0400	500+ GB Hard Disk
57X9020	2GB x32 DDR3 RAM
57X9812	Simplified Chinese Font Card
57X9810	Traditional Chinese Font Card
57X9101	256MB Flash Memory Card
57X9114	Korean Font Card
57X9115	Japanese Font Card

**P/N Application Solutions**

40C9201	Card for IPDS
40C9200	Forms and Bar Code Card
40C9202	Card for PRESCRIBE Emulation
57X0300	Contact Authentication Device
57X0301	Contactless Authentication Device

**P/N Application Solutions**

57X0085	Lexmark Secure Element
57X0210	Elatec Reader Authentication Device
57X0250	Elatec TWN4 MultiTech-P LEGIC 42 Kit Bosch-SPR000264

**P/N Connectivity**

27X0142	Lexmark MarkNet™ N8230 Fiber Ethernet Print Server
57X7050	English Keyboard Kit
57X7051	French Keyboard Kit
57X7053	German Keyboard Kit
57X7054	Spanish Keyboard Kit
27X6510	MarkNet N8370 802.11 a/b/g/n/ac Wireless Print Server
1021294	USB (2 Meter) Cable
14F0100	RS-232C Serial Interface Card
14F0000	Parallel 1284-B Interface Card
SPD0001	Surge Protective Device, 110-120V

**P/N Extended Warranties**

2361705	CX923 2-Years Total Onsite Service, Next Business Day
2361706	CX923 3-Years Total Onsite Service, Next Business Day
2361707	CX923 4-Years Total Onsite Service, Next Business Day
2361708	CX923 5-Years Total Onsite Service, Next Business Day

P/N	Extended Warranties
2361709	CX923 1-Year Onsite Service Renewal, Next Business Day
2361710	CX923 1-Year Post Wty Onsite Repair NBD Warranty
2361711	CX923 Per Call 1-Time Onsite Repair NBD Warranty
2365914	CX923 6 Years Total (1+5) Onsite Repair Next Business Day
2365915	CX923 2 Years renewal OnSite Service, Response Time Next Business Day
2365916	CX923 3 Years renewal OnSite Service, Response Time Next Business Day
2365917	CX923 4 Years renewal OnSite Service, Response Time Next Business Day
2368808	CX923 2-Years Total Onsite Service Lite, Next Business Day
2368809	CX923 3-Years Total Onsite Service Lite, Next Business Day
2368810	CX923 4-Years Total Onsite Service Lite, Next Business Day
2368811	CX923 5-Years Total Onsite Service Lite, Next Business Day
2368812	CX923 6 Years Total (1+5) Onsite Repair Lite Next Business Day
2368813	CX923 7 Years Total (1+6) Onsite Repair Lite Next Business Day
2368814	CX923 1-Year Onsite Service Renewal Lite, Next Business Day
2368815	CX923 2 Years renewal OnSite Service Lite, Response Time Next Business Day
2368816	CX923 3 Years renewal OnSite Service Lite, Response Time Next Business Day
2368817	CX923 4 Years renewal OnSite Service Lite, Response Time Next Business Day